



REF BB-100

TOBRA BONE BASKET™

For patent information visit tobramedical.com/patents/

Instructions for Use

ATTENTION: CAREFULLY READ ALL INSTRUCTIONS PRIOR TO USE. REVIEW ALL WARNINGS AND PRECAUTIONS INCLUDED IN THESE INSTRUCTIONS.

CAUTION: Federal law restricts the sale of this device to a licensed healthcare provider only

CONTENTS (per pouch)

One (1) Tobra Bone Basket with tubing attached

SUPPLIED STATE

The Tobra Bone Basket is provided sterile, and is a single use device. Do not reuse or resterilize.

DEVICE DESCRIPTION

The Tobra Bone Basket facilitates collection of autologous bone, for use as a bone graft, and simplifies its separation from blood and irrigation fluids.

INTENDED USE

The Tobra Bone Basket is intended for sterile, single-use with a surgical suction line to collect bone particles from patients during surgical procedures

STORAGE, HANDLING, AND DISPOSAL

The Tobra Bone Basket should be stored in the double sterile pouch in which the device is provided. Sterile technique should be used when handling the device, per facility protocol. The Tobra Bone Basket should only be handled by healthcare professionals. An expiration date is provided on the packaging. All expired product should be disposed of per facility protocol.

WARNINGS

- **Do not** use if package is open or damaged. If damage is noted, please contact Tobra Medical.
- **Do not** reuse or resterilize the device.
- **Do not** use if any portion of the Tobra Bone Basket appears damaged. If damage is noted, please contact Tobra Medical.
- **Do not** use if plunger rod does not move easily or return completely to the start position.
- **Do not** use if basket filter is damaged.

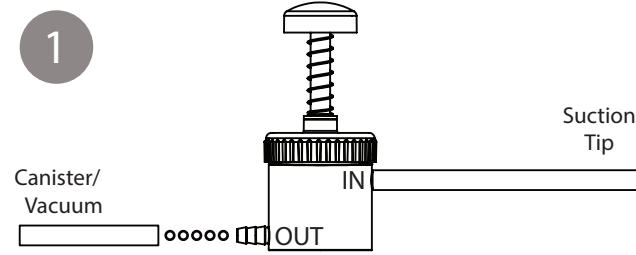
PRECAUTIONS

- Tobra Bone Basket should be used as provided.
- Discard device after use or after removal from sterile field. Per facility protocol

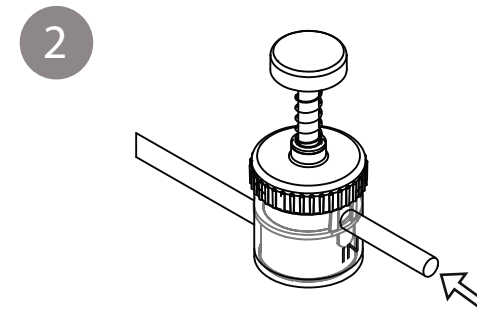
DEVICE COMPATIBILITY

The Tobra Bone Basket is compatible with the following devices:

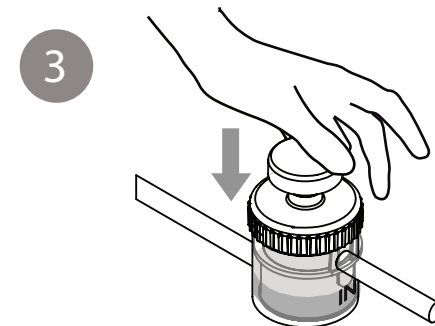
- Surgical suction tools
- Standard suction canisters and wall vacuum systems
- Standard suction tubing



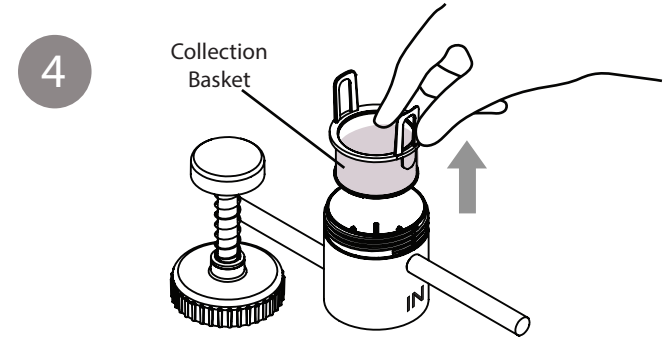
Connect the inlet tubing of the Tobra Bone Basket to a suction tip. Connect the outlet of the Bone Basket to a vacuum source or vacuum canister.



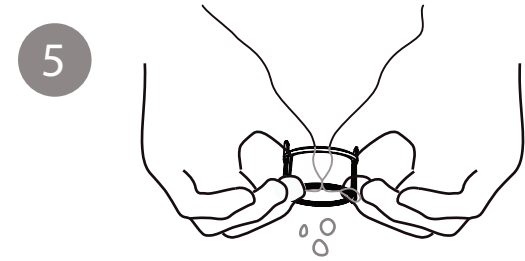
Suction bone, blood, and irrigation fluids during procedure.



When device is not suctioning bone dust, depress the plunger to compress and separate the bone dust from blood and irrigation fluid.



Unscrew the cap and pull the collection basket from the device.



Invert the collection basket to remove bone material. The collection basket should not be inverted more than two times.

Distributed by:
TOBRA MEDICAL
PO Box 1216
Wake Forest, NC 27588
info@tobramedical.com

Manufactured by:
GILERO FINISHED DEVICES
635 Davis Drive, Suite 100
Morrisville, NC 27560



Do not use if packaging is damaged.



For single use only. Do not reuse.



Not made with natural rubber latex.



Sterilized with gamma radiation.

Non-pyrogenic

www.tobramedical.com
(866) 777-1505